



Network

Dome

# QNV-C6083R

2MP AI IR Vandal Dome Camera



## Key Features

- Max. 2MP resolution
- Max. 30fps
- IR Viewable Length 40m(131.23ft)
- Color: 0.04Lux (F1.6, 1/30sec), BW: 0.004Lux (F1.6, 1/30sec, 30IRE)
- Focal length: 3.2~10.2mm(3.2X) motorized varifocal
- H.265, H.264, MJPEG codec supported
- Multiple streaming (up to 5 profiles)
- Day & Night (ICR), WDR (120dB)
- Micro SD/SDHC/SDXC 1 slot 256GB
- IP66, IK10
- PoE: Max 9.8W
- HDMI Video out: 1080p@30/25fps (60/50Hz)
- HDMI out is supported through an optional cable (SPP-C1900)

# QNV-C6083R

2MP AI IR Vandal Dome Camera



## Specifications

Video	
Imaging Device	1/2.8" CMOS
Resolution	1920x1080, 1280x1024, 1280x960, 1280x720, 1024x768, 800x600, 800x448, 720x576, 720x480, 640x480, 640x360, 320x240
Max. Framerate	H.265/H.264: Max. 30fps/25fps(60Hz/50Hz) MJPEG: Max. 30fps(@2MP Max. 5fps)
Min. Illumination	Color: 0.04Lux (F1.6, 1/30sec) BW: 0.004Lux (F1.6, 1/30sec, 30IRE), 0Lux(IR LED on)
Video Out	USB: Micro USB Type B, 1280x720 for installation HDMI: 1080p@30/25fps (60/50Hz) * HDMI out is supported through an optional cable(SPP-C1900)
Lens	
Focal Length (Zoom Ratio)	3.2~10.2mm(3.2x) motorized varifocal
Max. Aperture Ratio	F1.6(Wide)~F3.1(Tele)
Angular Field of View	H: 102.0°(Wide)~32.2°(Tele) V: 54.2°(Wide)~18.3°(Tele) D: 119.0°(Wide)~36.7°(Tele)
Min. Object Distance	1.2m (3.93ft)
Focus Control	Simple focus
Lens Type	DC auto iris(IR corrected)
Pan / Tilt / Rotate	
Pan / Tilt / Rotate Range	0°~350° / -35°~70° / 0°~355°
Operational	
Camera Title	Displayed up to 85 characters
Day & Night	Auto(ICR)
Backlight Compensation	BLC, WDR, SDDR
Wide Dynamic Range	120dB
Digital Noise Reduction	SSNR V , WiseNR II (Based on AI engine)
Motion Detection	8ea, 8point polygonal zones
Privacy Masking	32ea, 4point quadrangle zones
Gain Control	Low / Middle / High
White Balance	ATW / AWC / Manual / Indoor / Outdoor
LDC	Support
Electronic Shutter Speed	Minimum / Maximum / Anti flicker (1/5~1/25,000sec) prefer shutter control
Video Rotation	Flip, Mirror, Hallway view(90°/270°)

Analytics	Classified object type: Person/Vehicle Attributes: Vehicle(Type:car/bus/truck/motorcycle/bicycle) Support DetectionShot Analytics events based on AI engine - Motion detection*, Object detection, Virtual line*(Crossing/Direction), Virtual area*(Loitering/Intrusion/Enter/Exit) Analytics events - Defocus detection, Tampering, Virtual area(Appear/Disappear)  * Some of the video analytics only works with people and vehicle detection
Business Intelligence	Based on AI engine: People counting, Vehicle counting, Queue management, Heatmap
Alarm I/O	Input 1ea / Output 1ea * Alarm I/O is supported through an optional cable(SPP-C7400)
Alarm Triggers	Analytics, Network disconnect, Alarm input
Alarm Events	When alarm trigger occurred - File upload(image) : e-mail/FTP - Notification : e-mail - Recording : SD/SDHC/SDXC or NAS recording at event triggers - Alarm output - Handover(PTZ preset, Send message by HTTP/HTTPS/TCP) - Audio clip playback
Audio In	Selectable(mic in/line in) * Audio In is supported through an optional cable(SPP-C7400)
Audio Out	Line out, Max.output level: 0.5Vrms * Audio Out is supported through an optional cable(SPP-C7400)
IR Viewable Length	40m(131.23ft)
IR Wavelength	long-life 850nm IR LED
<b>Network</b>	
Ethernet	RJ-45(10/100BASE-T)
Video Compression	H.265/H.264: Main/High, MJPEG
Audio Compression	G.711 u-law /G.726 Selectable G.726(ADPCM) 8KHz, G.711 8KHz G.726: 16Kbps, 24Kbps, 32Kbps, 40Kbps AAC-LC: 48Kbps at 16KHz
Smart Codec	Manual(5ea area), WiseStreamIII
Bitrate Control	H.264/H.265: CBR or VBR MJPEG: VBR
Streaming	Unicast(20 users) / Multicast Multiple streaming(Up to 5 profiles)
Protocol	IPv4, IPv6, TCP/IP, UDP/IP, RTP(UDP), RTP(TCP), RTCP,RTSP, NTP, HTTP, HTTPS, SSL/TLS, DHCP, FTP, SMTP, ICMP, IGMP, SNMPv1/v2c/v3(MIB-2), ARP, DNS, DDNS, QoS, UPnP, Bonjour, LLDP, CDP, SRTP (TCP, UDP Unicast)
Application Programming Interface	ONVIF Profile S/G/T/M SUNAPI(HTTP API) Wisenet open platform
<b>Security</b>	
OS / Firmware Protect	Secure boot, Signed firmware, Firmware encryption
User authentication	Digest Authentication, Prevent brute-force attack
Network authentication	802.1X Authentication(EAP-TLS, EAP-LEAP, EAP-PEAP MSCHAPv2)
Secure Communication	HTTPS, SRTP, WSS(Websocket secure)
Access Control	Access control based on IP address
Data Protect	Authentication information encryption, ZIP compression encryption
Audit	User Access/System/Event log management
Device ID	Device Certificate(Hanwha Private Root CA)
Secure Storage	SDcard partition encrypt
<b>General</b>	

Design and specifications are subject to change without notice. The latest product information / specification can be found at [HanwhaVision.com](http://HanwhaVision.com).

Hanwha Vision is formerly known as Hanwha Techwin.

**QNV-C6083R**

Webpage Language	English, Korean, Chinese, French, Italian, Spanish, German, Japanese, Russian, Portuguese, Czech, Polish, Turkish, Dutch, Hungarian, Greek
Edge Storage	Micro SD/SDHC/SDXC 1slot 256GB
Memory	2GB RAM, 1GB Flash

**Environmental & Electrical**

Operating Temperature / Humidity	-40°C~+55°C(-40°F~+131°F) / 0~95% RH(non-condensing) Humidity control /w Air vent
Storage Temperature / Humidity	-50°C~+60°C(-58°F ~ +140°F) / 0~95% RH
Certification	IP66, IK10
Input Voltage	PoE(IEEE802.3af, Class3)
Power Consumption	PoE: Max 9.8W, typical 4.0W

**Mechanical**

Color / Material	White / Aluminum Bubble : Hard-coated dome
RAL Code	RAL9003
Product Dimensions / Weight	ø140x110.2mm(ø5.51x4.34"), 850g(1.87 lb)
Compatible Conduit hole / Gangbox	Conduit hole : None Gangbox : Single, Double, 4" Octagon
Hanging Mount (Dome)	SBP-140HMW
Backbox	SBV-140BW

**Certifications & Standards**

EMC	FCC 47 CFR 15 Subpart B Class A ICES-3(A)/NMB-3(A) CE/UKCA - EN 55032 Class A, EN 50130-4, EN 61000-3-2, EN 61000-3-3 VCCI CISPR 32 Class A RCM AS/NZS CISPR 32 Class A
Safety	UL 62368-1, CAN/CSA C22.2 NO. 62368-1 IEC/EN 62471
Environment	IEC/EN 63000 IEC/EN 60529 IP66, IEC/EN 62262 IK10

**DORI (EN62676-4 standard)**

Detect (25PPM/ 8PPF)	Wide: 30.5m(100.03ft) / Tele: 133m(436.48ft)
Observe (63PPM/ 19PPF)	Wide: 12.2m(40.01ft) / Tele: 53.21m(174.59ft)
Recognize (125PPM/ 38PPF)	Wide: 6.1m(20.01ft) / Tele: 26.6m(87.29ft)
Identify (250PPM/ 76PPF)	Wide: 3.0m(10.00ft) / Tele: 13.3m(43.64ft)

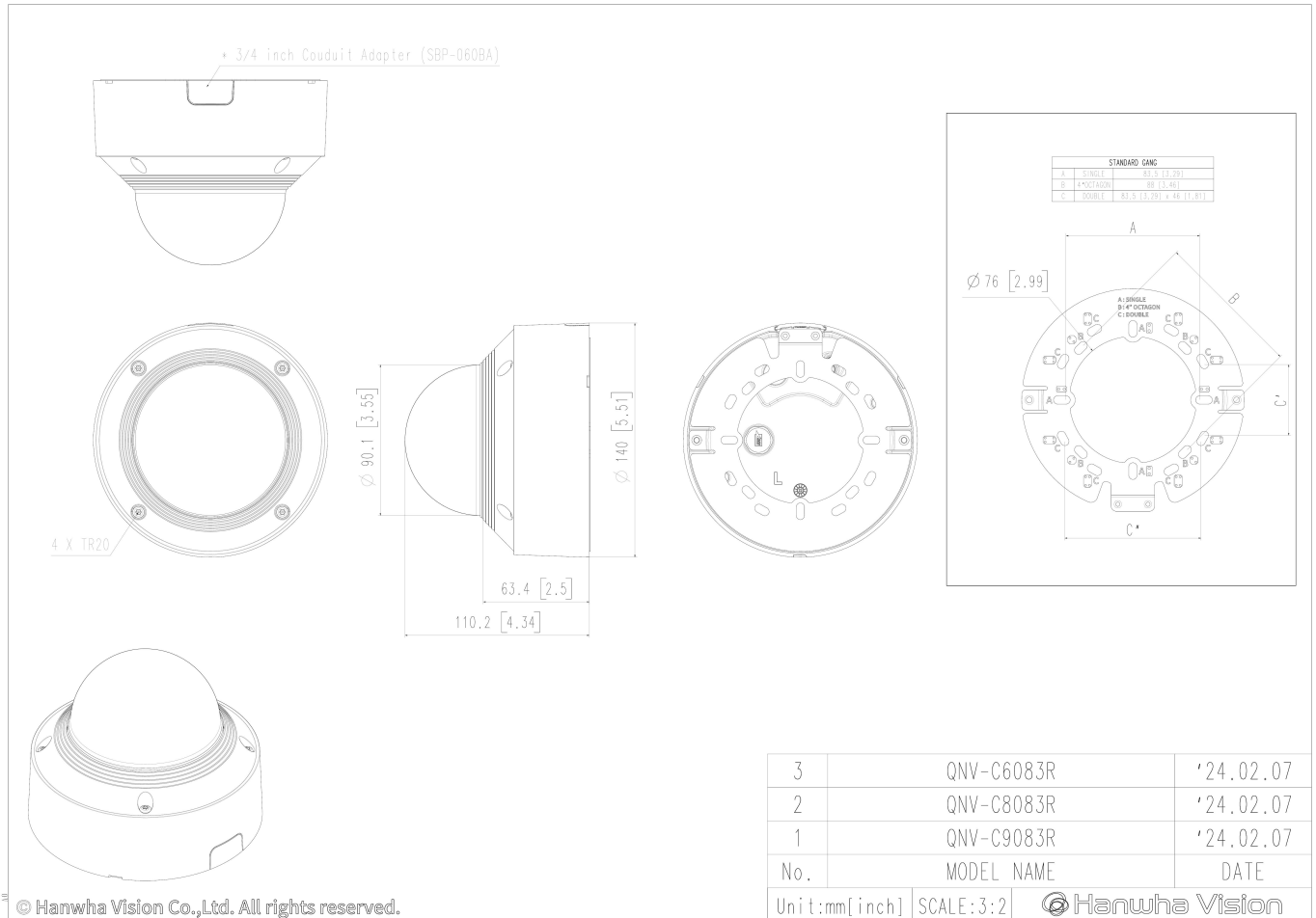
# QNV-C6083R

2MP AI IR Vandal Dome Camera



## CAD

Unit:mm [inch]



© Hanwha Vision Co.,Ltd. All rights reserved.