



ITEMISER® 4DX RAPISCAN

NON-RADIOACTIVE-BASED EXPLOSIVES AND
NARCOTICS DETECTION

- Ⓜ SIMULTANEOUS DETECTION OF EXPLOSIVE AND NARCOTICS IN EIGHT SECONDS
- Ⓜ NON-RADIOACTIVE ION SOURCE
- Ⓜ AUTOMATED INTERNAL CALIBRATION
- Ⓜ INCREASED USABILITY, IMPROVED OPERATIONAL AND DETECTION ACCURACY
- Ⓜ REMOTE MONITORING CAPABILITY VIA REMOTE CONNECT™
- Ⓜ PUSH-BUTTON, SCHEDULABLE AUTOMATED MAINTENANCE

COST EFFECTIVE

- Automated internal calibration eliminates cost of purchasing and managing calibration traps
- Folding monitor screen automatically shuts off backlight to extend life of display
- Regenerative dryer increases uptime and eliminates cost of monthly dryer material replacements
- Decreases labor required to initiate and manage maintenance

RELIABLE

Simultaneous dual mode detection by using one detector significantly decreases the possibility of mechanical failure associated with two detector systems. Maintains a low, stable humidity level in the detector, allowing for consistent and reliable detection results. Automatically saves test results, preventing deletions. Robust internal solid-state hard drive for reliable data storage. Optional maintenance reminders for all preventive requirements. Advanced diagnostics to ensure maximum availability and performance.



USING A NON-RADIOACTIVE IONIZATION SOURCE AND SIMULTANEOUS, DUAL-MODE DETECTION, **ITEMISER® 4DX** CAN DETECT A BROAD RANGE OF CURRENT MARKET THREAT EXPLOSIVES AND NARCOTICS WITHOUT THE USE OF A RADIOACTIVE SOURCE, THEREBY ELIMINATING THE NEED FOR ANNUAL WIPE TESTS AND LICENSING WHILE REDUCING SHIPPING CHALLENGES.

EASE OF USE

- Non-radioactive ionization source removes shipping restrictions and licensing requirements
- Built in printer for fast hard copy results or printing later
- Quick analysis and results in approximately 8 seconds
- On-board software keypad and help files
- Automated, push-button maintenance can be scheduled

EASILY ACCESSIBLE MAINTENANCE ITEMS.

- Ability to create custom substance libraries
- Results require minimal interpretation, allowing operators to concentrate on sample acquisition
- Onboard computer automatically logs all data, including time, date, sample analysis and system status
- A comprehensive history of saved data and alarm files can be recalled and printed



ITEMISER® 4DX RAPISCAN



PHYSICAL SPECIFICATIONS

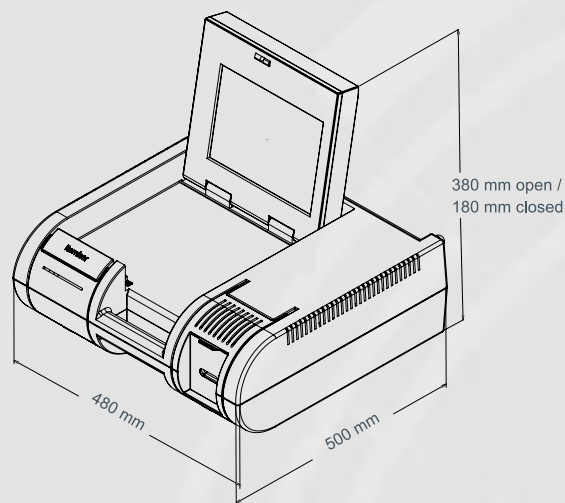
	Length: 500 mm open/ 460 mm closed
Dimensions	Width: 480 mm
	Height: 380 mm open/ 180 mm closed
Weight (Approx.)	Net: 11.93 Kg

TECHNICAL SPECIFICATIONS

Detector Type	Ion Trap Mobility Spectrometer (ITMS™)
Analysis Time	Default 8 seconds
Sample Acquisition	Surface wipe
Warmup Time (Cold Start)	Allow approximately 30 minutes for system to stabilize
Operating Temperature	-10 to 55°C IP20 protection rating
Power	External AC to DC Power Supply: 100-240 VAC, -1.8 Amps, 47-63 Hz input, 15 VDC output, 10 Amps, 150W
Battery Backup	Up to 60 minutes
Computer	Hard Drive: 120 gigabytes Operating System: Linux
Signal Processing	Recognition on multiple peaks and explosives; output to 4 different display types,
Detection Modes	Explosives and Narcotics Detection or Dual Mode Detection
Data Transfer Capability	Two USB 2.0 ports; Ethernet port

PORTABILITY

- Lightweight (11,93 kg) with built-in handle for easy transport
- Internal, one-hour battery allows instrument relocation without shut off, eliminating warmup time



HTDS

Parc d'Activités du Moulin de Massy - 3 rue du Saule Trapu
BP246 - 91882 Massy Cedex France

Tel : +33 (0) 1 64 86 28 28 - Fax : +33 (0) 1 69 07 69 54 - info@htds.fr - www.htds.fr

HTDS Algeria : +213 232 384 01/02

HTDS Morocco : +212 222 749 59

HTDS Egypt : +202 229 053 06

HTDS Lybia : +218 91 69 50 70 8

HTDS Madagascar : +261 34 40 664 72

HTDS Tunisia : +216 70 836 961